



M1 series

1U rack mount LCD keyboard drawer

Installation Guide

M1 series 1U rack mount monitor keyboard drawer

ACNODES

661 Brea Canyon Rd., Suite 3
Walnut, CA 91789
tel: 909.598.7388, fax: 909.598.0218, www.acnodes.com

© Copyright 2009 Acnodes, Inc.
All rights reserved. Product description and product specifications
are subject to change without notice. For latest product information,
please visit Acnodes' web site at www.acnodes.com.



M1 series

1U rack mount LCD keyboard drawer

Index

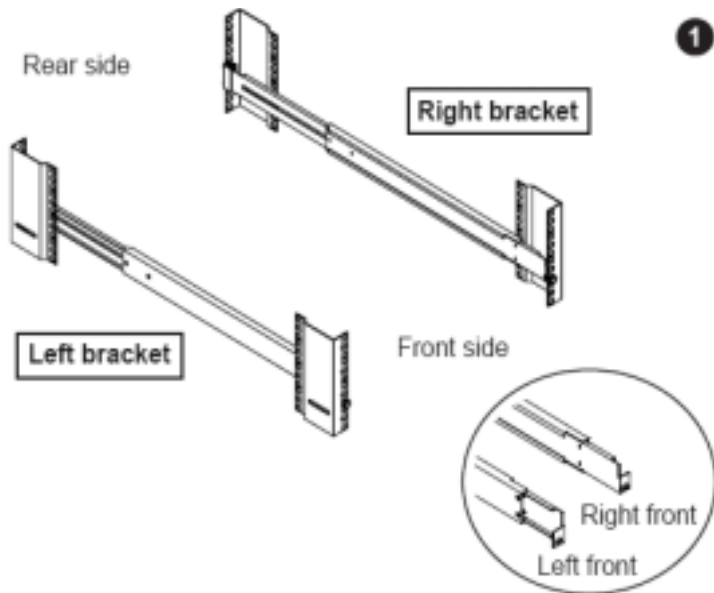
Chapter 1

1.1	How to install “One-Man” installation slides into rack.....	1
1.2	How to install “One Man” installation slides.....	2
1.3	How to use the slides.....	3
1.4	Connection KVM modules.....	4
1.5	Connection KVM modules Cont.....	5
1.6	Receiver Box.....	6
1.7	Receiver Connection.....	7
1.8	Cascade KVM modules.....	8

M1 series

1U rack mount LCD keyboard drawer

1.1 How to Install “One Man” Installation Slides into rack

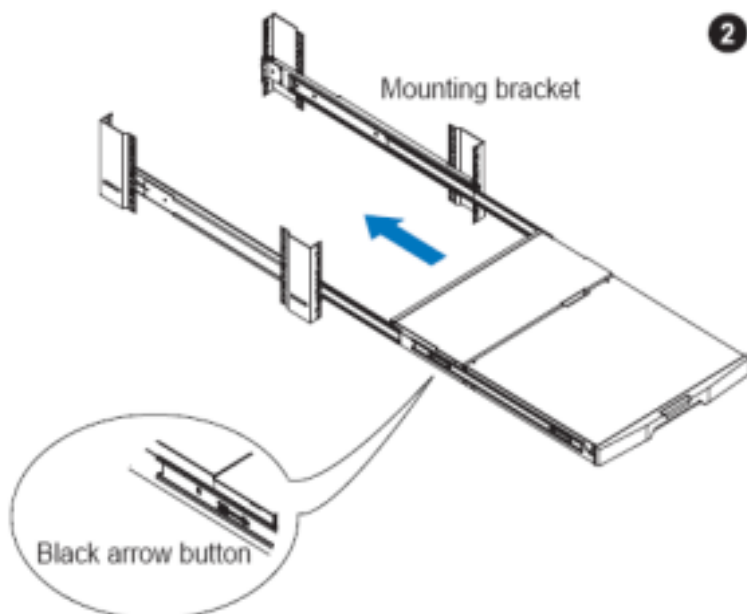


Attach the left and right mounting bracket to rack 19" mounting rails.

Adjust the rear mounting bracket to fit your rack.

M6 screw and cup washer x 6 piece included.

Caution : Leaving the screws slightly loose, until you complete the installation in step 4



Pick up the LCD keyboard drawer.

Insert the LCD keyboard drawer into the mounting bracket.

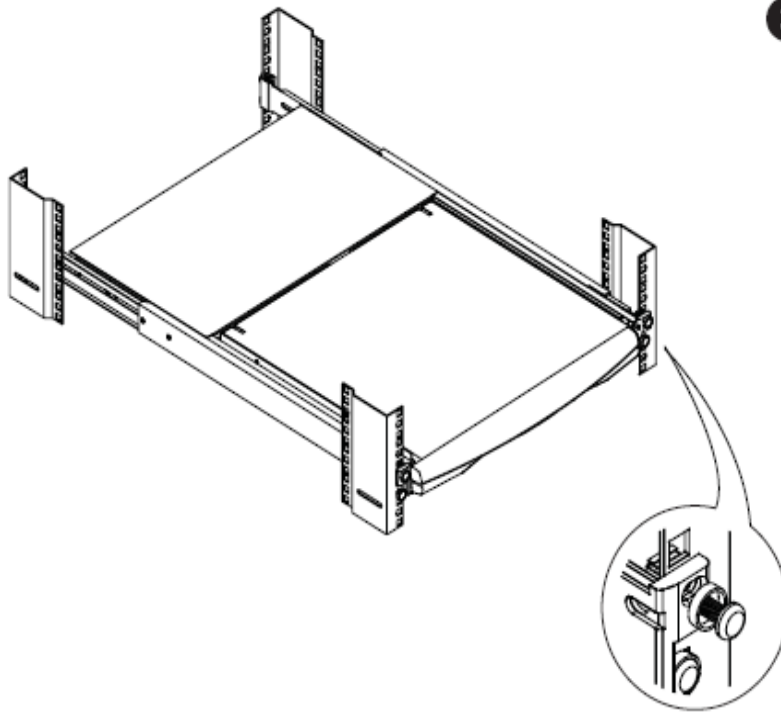
Pull and hold the left & right black arrow buttons on the rails.

Return the LCD keyboard drawer to park position

M1 series

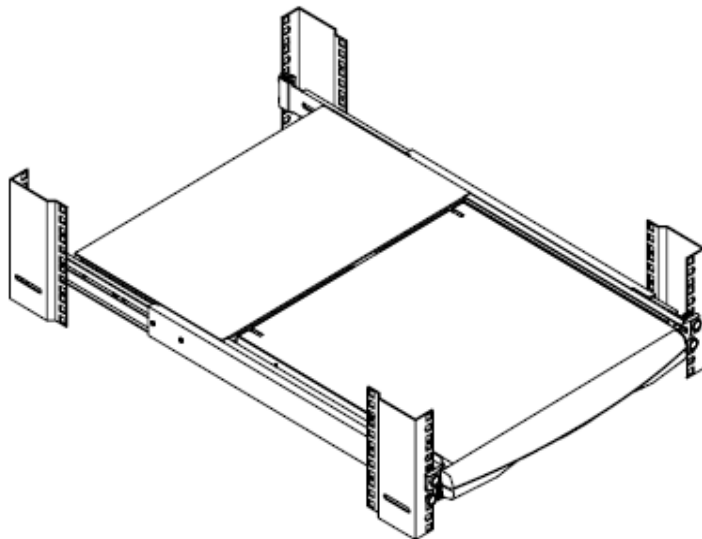
1U rack mount LCD keyboard drawer

1.2 How to Install “One Man” Installation Slides



3

Attach front left and right mounting ears of the LCD keyboard drawer to vertical mounting rails.
? M6 screw and cup washer x 2 pcs included.



4

Complete the installation
Insert all 8 pieces of M6 screw to complete the installation

M1 series

1U rack mount LCD keyboard drawer

1.3 How to Use the Slides

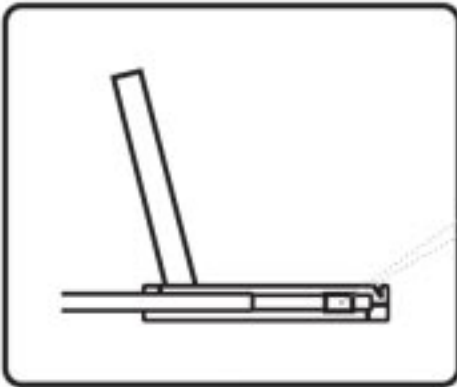


Figure 1.

? A black arrow release button is located on the outside of each slide. (shown in Figure 1).



Figure 2.

Pull and hold the black arrow button on either side of the LCD keyboard drawer to unlock. (shown in Figure 2).

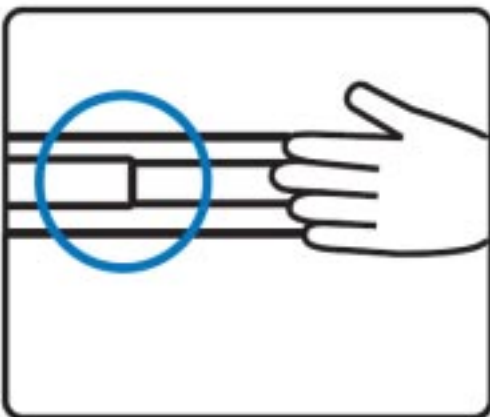


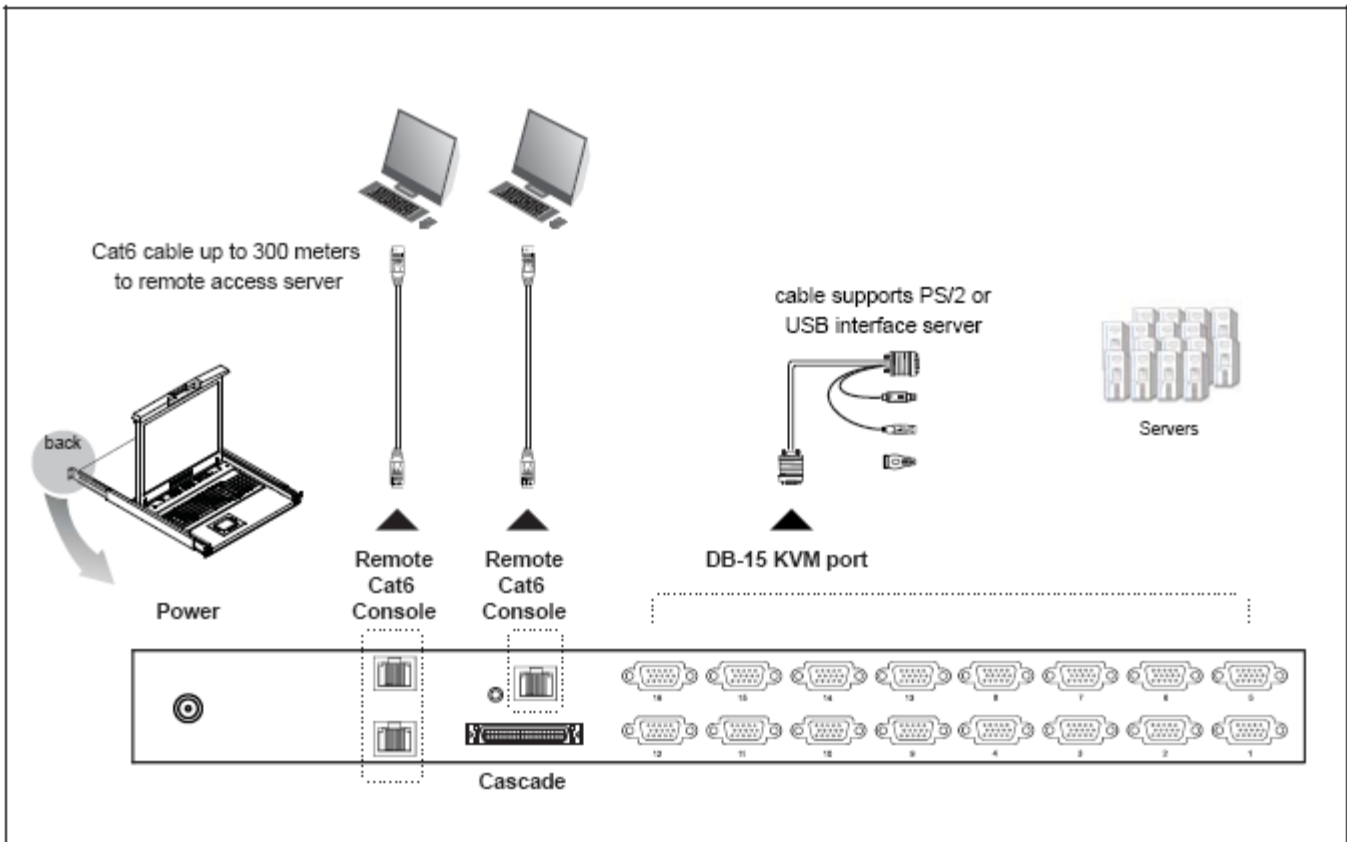
Figure 3.

? Push the LCD keyboard drawer into the rack. (shown in Figure 3).
Caution : Keep your fingers away from the slide stop

M1 series

1U rack mount LCD keyboard drawer

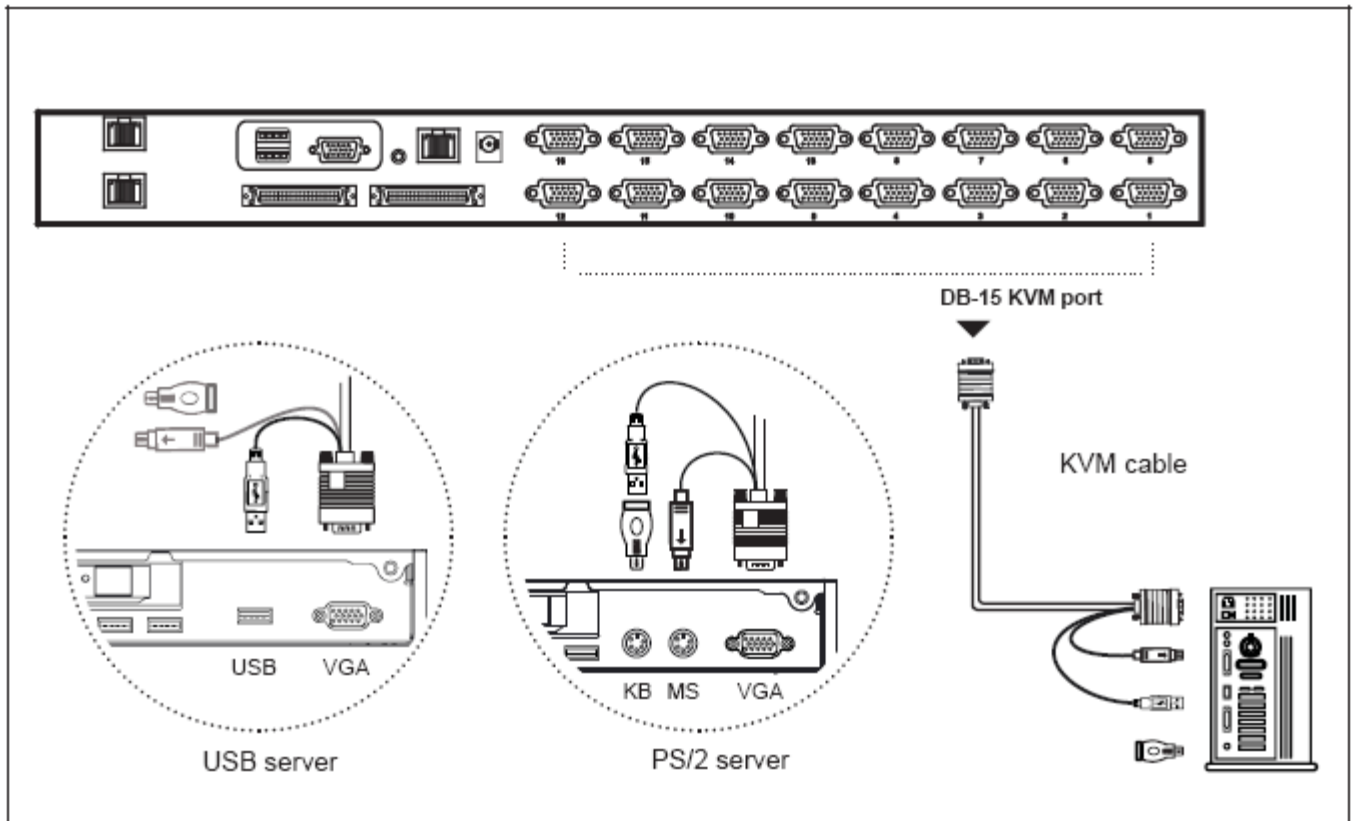
1.4 Connection KVM modules



M1 series

1U rack mount LCD keyboard drawer

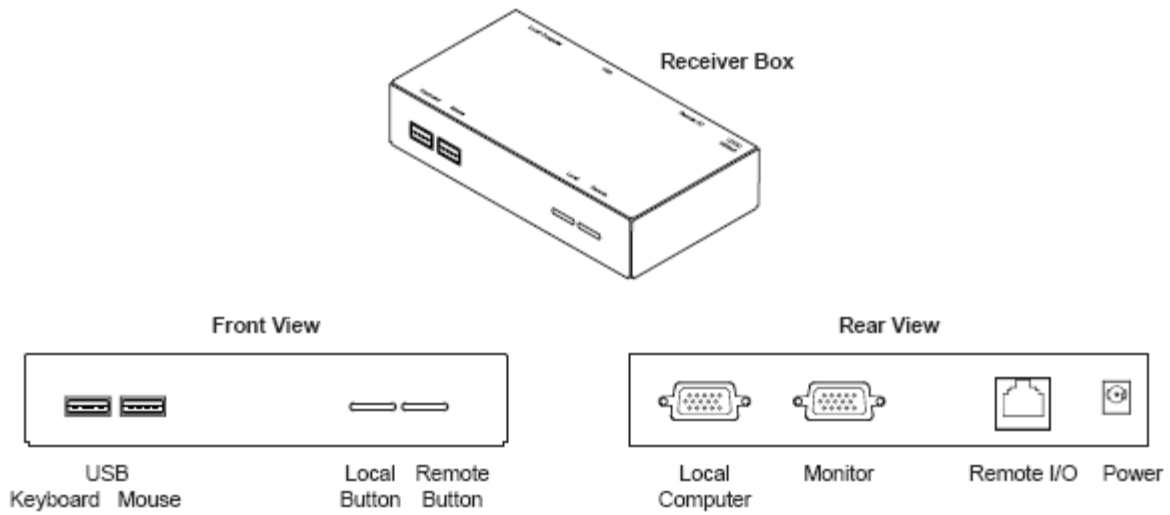
1.5 Connection KVM modules cont.



M1 series

1U rack mount LCD keyboard drawer

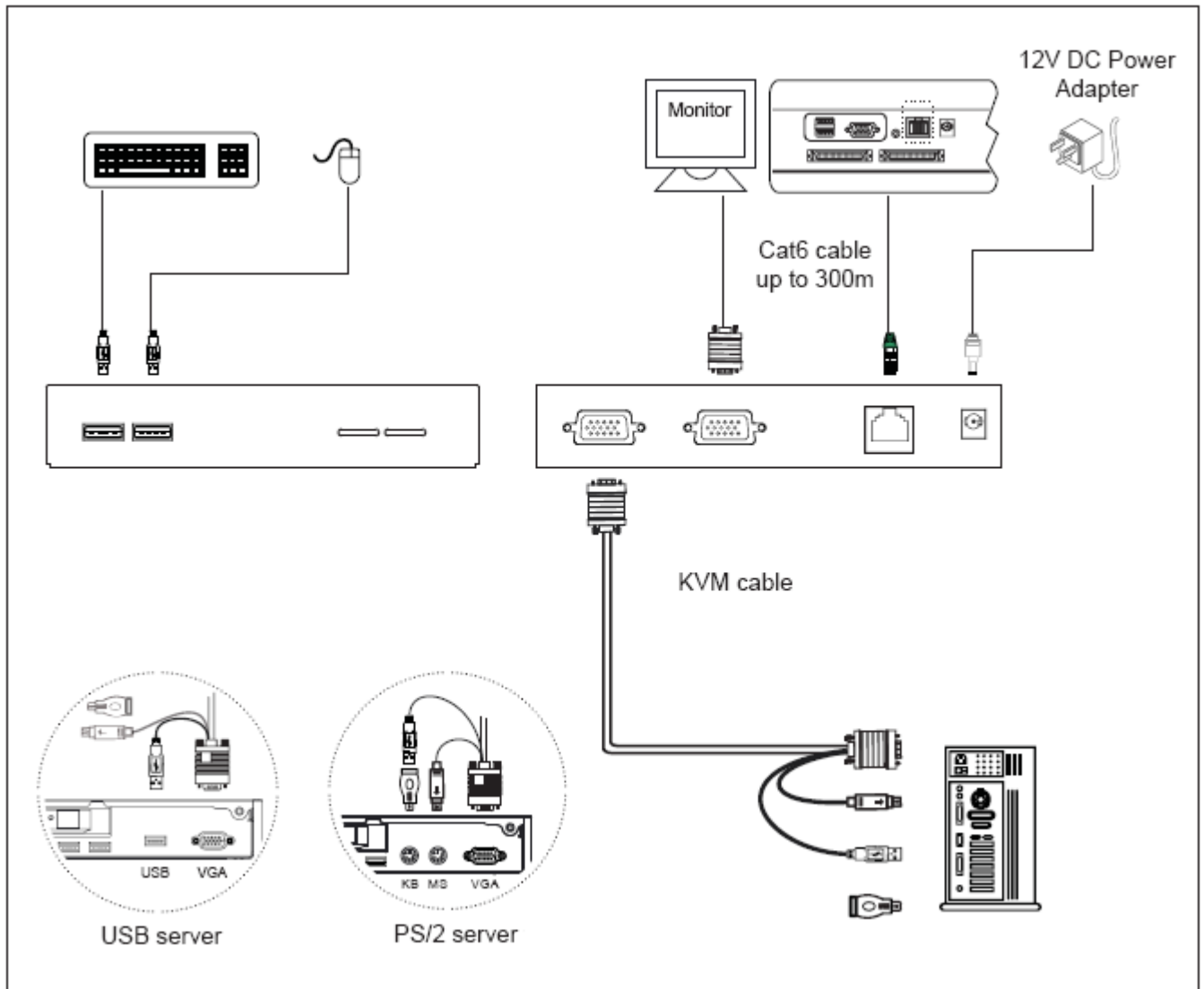
1.6 Receiver Box



M1 series

1U rack mount LCD keyboard drawer

1.7 Receiver Connection



M1 series

1U rack mount LCD keyboard drawer

1.8 Cascade KVM Modules

- Cascade up to 8 level, 64 servers
- Interconnection with Matrix Cat6 KVM
- Cascading multiple KVM with cable

