

KDS 6198

**19" 1280 x 1024 LCD monitor
Support SUN native resolution
8 ports KVM switch**



» Features

- » 1U compact design, 25.6" depth
- » 19" 1280 x 1024 LCD display
- » OSD (On Screen Display) function
- » 104 keys keyboard with built-in Sun keys & 10-keys keypad
- » 3-buttons touch pad
- » Optional for track ball
- » 8 ports USB KVM switch
- » 110/220VAC 25W power supply

» Specifications

Material:

Heavy-duty steel

Keyboard and touch pad (USB or PS/2):

SUN-compatible keyboard integrated with 3-button touch pad
Optional for track ball

LCD Panel:

Size: 19"
Max. Resolution: 1280x1024
Sun native resolution: 1152 x 900
Brightness (cd/m²): 300 nit
Contrast Ratio: 1000:1
Response time: Time 1.3ms
Display Area: 338 x 270mm
Viewing Angle: 160° Horizontal, 160° Vertical
Back Light: 4 x CCFTs
Colors: 16.7M colors
MTBF: 50,000 hours

Resolution:

720 x 400, 70Hz
640 x 480, 60/ 70/ 72/ 75Hz
800 x 600, 60/ 70/ 72/ 75 Hz
1024 x 768, 60/ 70/ 75Hz
1152 x 864, 60/ 70/ 75Hz
1280 x 720, 60/ 75Hz
1280 x 1024, 60/ 70/ 75Hz
1152 x 900, 66/ 76Hz

Video Input:

Analog RGB, 0.7Vp-p

Plug & Play DDC:

EDID 1.3

DC-Powre (Optional):

DC Power input with 12V, 24V, 48V selection

KVM Switch:

8 ports USB KVM switch
Connector type: proprietary DB-15 KVM connector
Cascades level: 8 levels, up to 128 servers
Resolution: 1,600 x 1,200
Support hot-pluggable cable and built-in KVM switch buttons
Multi-platform: Mix PCs, SUNs, PCs, IBMs, HPs, Compaq & DELL
Support: Windows Vista/ 2003/ XP/ 2000, Linux, Netware, Unix

KVM Management:

Multilingual OSD: English, France, German, Spanish, Italian, Russian, Simplified Chinese, Japanese
Hotkey combination: Scroll-lock, Cap-lock, Num-lock, Alt, Ctrl & Win
Security: Password enable & disable
up to 8 users profile for port access
PC Selection: Front button, OSD menu & hotkey

KVM switch Connector:

8 x D-Sub 15 pin (female) for VGA/ Keyboard/ mouse (Combo Interface, USB or PS/2)
1 x D-sub 15 pin for cascades port

Cable:

8 x 6' 4-in-1 KVM cable for VGA/ Keyboard/ mouse
Optional for 10' or 15'
KVM side: 1 x D-sub 15 pin proprietary KVM connector
Server side: 1 x D-sub 15 pin VGA

Drawer Design:

High load-rating slide rail with angle bracket
extension up to 32" depth
Optional Extension bracket to 36" depth

ACNODES

14628 Central Blvd, Chino,
CA 91710
tel: 909.597.7588, fax: 909.597.1939

© Copyright 2011 Acnodes, Inc.
All rights reserved. Product description and product specifications
are subject to change without notice. For latest product information,
please visit Acnodes' web site at www.acnodes.com.

**Power Supply:**

Auto-sensing 100 to 240 VAC, 50/60Hz
Max. 48Watt, Standby 5W

Color:

Black

Environmental:

Operate 0°~ 50°C

Storage -5°~ 60°C

Humidity: 5% ~ 90%, non-condensing

Shock 10G acceleration (11ms duration)

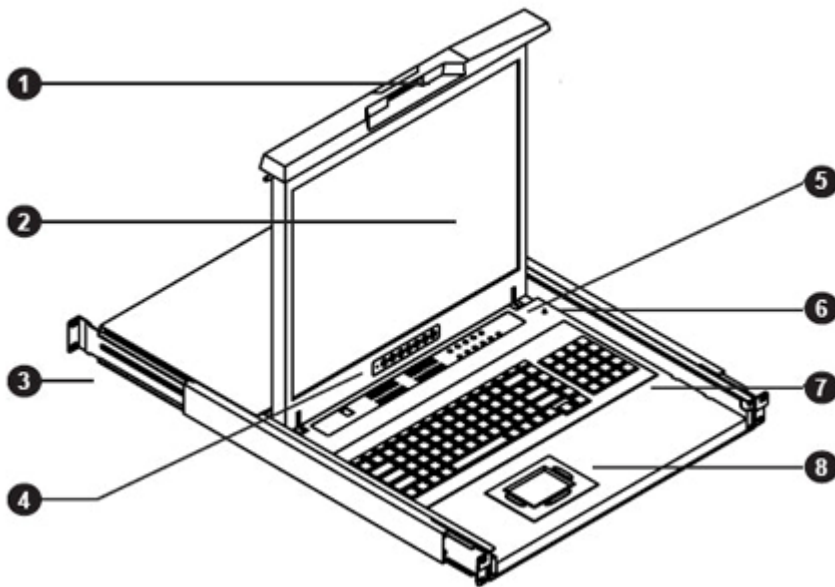
Vibration 5~500Hz 1G RMS random vibration

Safety:

CE/FCC

Gross Weight/Dimension:

33lbs/ 17.4"(W) x 25.6"(D) x 1.73"(H)

» Ordering Guide

1. Carry handle to release the 2-pt lock
2. LCD interchangeable module kit
3. "One Man" Installation Slides
4. LCD membrane

5. Membrane switch (KVM option)
6. Micro switch for screen auto power off
7. Keyboard interchangeable module kit
8. Mouse interchangeable module kit

» Ordering Guide**KDS 6198:**

1U 19" 1280 x 1024 LCD monitor keyboard drawer, 8 ports USB KVM switch, black colour

ACNODES

14628 Central Blvd, Chino,
CA 91710
tel: 909.597.7588, fax: 909.597.1939

© Copyright 2011 Acnodes, Inc.
All rights reserved. Product description and product specifications
are subject to change without notice. For latest product information,
please visit Acnodes' web site at www.acnodes.com.