

# KDS 6178

**17" 1280 x 1024 LCD monitor  
Support SUN native resolution  
8 ports KVM switch**



## » Features

- » 1U compact design, 25.6" depth
- » 17" 1280 x 1024 LCD display
- » OSD (On Screen Display) function
- » 104 keys keyboard with built-in Sun keys & 10-keys keypad
- » 3-buttons touch pad
- » Optional for track ball
- » 8 ports USB KVM switch
- » 110/220VAC 25W power supply

## » Specifications

### Material:

Heavy-duty steel

### Keyboard and touch pad (USB or PS/2):

SUN-compatible keyboard integrated with 3-button touch pad

Optional for track ball

### LCD Panel:

Size: 17"

Max. Resolution: 1280x1024

Sun native resolution: 1152 x 900

Brightness (cd/m<sup>2</sup>): 300 nit

Contrast Ratio: 1000:1

Response time: Time 1.3ms

Display Area: 338 x 270mm

Viewing Angle: 160° Horizontal, 160° Vertical

Back Light: 4 x CCFTs

Colors: 16.7M colors

MTBF: 50,000 hours

### Resolution:

720 x 400, 70Hz

640 x 480, 60/ 70/ 72/ 75Hz

800 x 600, 60/ 70/ 72/ 75 Hz

1024 x 768, 60/ 70/ 75Hz

1152 x 864, 60/ 70/ 75Hz

1280 x 720, 60/ 75Hz

1280 x 1024, 60/ 70/ 75Hz

1152 x 900, 66/ 76Hz

### Video Input:

Analog RGB, 0.7Vp-p

### Plug & Play DDC:

EDID 1.3

### DC-Powre (Optional):

DC Power input with 12V, 24V, 48V selection

### KVM Switch:

8 ports USB KVM switch

Connector type: proprietary DB-15 KVM connector

Cascades level: 8 levels, up to 128 servers

Resolution: 1,600 x 1,200

Support hot-pluggable cable and built-in KVM switch buttons

Multi-platform: Mix PCs, SUNs, PCs, IBMs,

HPs, Compaq & DELL

Support: Windows Vista/ 2003/ XP/ 2000,

Linux, Netware, Unix

### KVM Management:

Multilingual OSD: English, France, German, Spanish, Italian, Russian, Simplified Chinese, Japanese

Hotkey combination: Scroll-lock, Cap-lock,

Num-lock, Alt, Ctrl & Win

Security: Password enable & disable

up to 8 users profile for port access

PC Selection: Front button,

OSD menu & hotkey

### KVM switch Connector:

8 x D-Sub 15 pin (female) for VGA/ Keyboard/ mouse (Combo Interface, USB or PS/2)

1 x D-sub 15 pin for cascades port

### Cable:

8 x 6' 4-in-1 KVM cable for VGA/ Keyboard/ mouse

Optional for 10' or 15'

KVM side: 1 x D-sub 15 pin proprietary KVM connector

Server side: 1 x D-sub 15 pin VGA

### Drawer Design:

High load-rating slide rail with angle bracket

extension up to 32" depth

Optional Extension bracket to 36" depth

**ACNODES**

14628 Central Blvd, Chino,  
CA 91710  
tel: 909.597.7588, fax: 909.597.1939

© Copyright 2011 Acnodes, Inc.  
All rights reserved. Product description and product specifications  
are subject to change without notice. For latest product information,  
please visit Acnodes' web site at [www.acnodes.com](http://www.acnodes.com).

**Power Supply:**

Auto-sensing 100 to 240 VAC, 50/60Hz  
Max. 48Watt, Standby 5W

**Safety:**

CE/FCC

**Gross Weight/Dimension:**

33lbs/ 17.4"(W) x 25.6"(D) x 1.73"(H)

**Color:**

Black

**Environmental:**

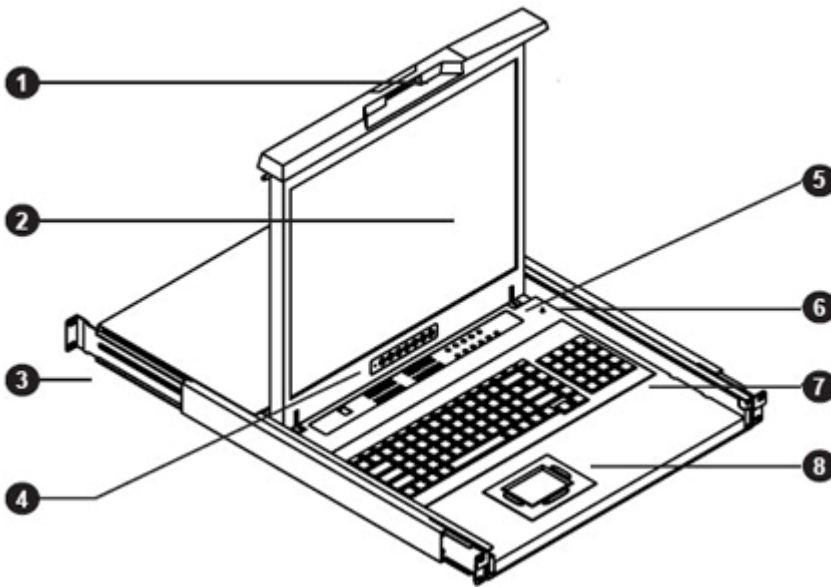
Operate 0°~ 50°C

Storage -5°~ 60°C

Humidity: 5% ~ 90%, non-condensing Shock

10G acceleration (11ms duration) Vibration

5~500Hz 1G RMS random vibration

**» Diagram**

1. Carry handle to release the 2-pt lock
2. LCD interchangeable module kit
3. "One Man" installation Slides
4. LCD membrane

5. Membrane switch (KVM option)
6. Micro switch for screen auto power off
7. Keyboard interchangeable module kit
8. Mouse interchangeable module kit

**» Ordering Guide****KDS 6178:**

1U 17" 1280 x 1024 LCD monitor keyboard drawer, 8 ports USB KVM switch, black colour

**ACNODES**

14628 Central Blvd, Chino,  
CA 91710  
tel: 909.597.7588, fax: 909.597.1939

© Copyright 2011 Acnodes, Inc.  
All rights reserved. Product description and product specifications  
are subject to change without notice. For latest product information,  
please visit Acnodes' web site at [www.acnodes.com](http://www.acnodes.com).