

# KDS 61716

**17" 1280 x 1024 LCD monitor**  
**Support SUN native resolution**  
**16 ports KVM switch**



## » Features

- » 1U compact design, 25.6" depth
- » 17" 1280 x 1024 LCD display
- » OSD (On Screen Display) function
- » 104 keys keyboard with built-in Sun keys & 10-keys keypad
- » 3-buttons touch pad
- » Optional for track ball
- » 16 ports USB KVM switch
- » 110/220VAC 25W power supply

## » Specifications

### Material:

Heavy-duty steel

### Keyboard and touch pad (USB or PS/2):

SUN-compatible keyboard integrated with 3-button touch pad  
Optional for track ball

### LCD Panel:

Size: 17"  
Max. Resolution: 1280x1024  
Sun native resolution: 1152 x 900  
Brightness (cd/m<sup>2</sup>): 300 nit  
Contrast Ratio: 1000:1  
Response time: Time 1.3ms  
Display Area: 338 x 270mm  
Viewing Angle: 160° Horizontal, 160°Vertical  
Back Light: 4 x CCFTs  
Colors: 16.7M colors  
MTBF: 50,000 hours

### Resolution:

720 x 400, 70Hz  
640 x 480, 60/ 70/ 72/ 75Hz  
800 x 600, 60/ 70/ 72/ 75 Hz  
1024 x 768, 60/ 70/ 75Hz  
1152 x 864, 60/ 70/ 75Hz  
1280 x 720, 60/ 75Hz  
1280 x 1024, 60/ 70/ 75Hz  
1152 x 900, 66/ 76Hz

### Video Input:

Analog RGB, 0.7Vp-p

### Plug & Play DDC:

EDID 1.3

### DC-Powre (Optional):

DC Power input with 12V, 24V, 48V selection

### KVM Switch:

16 ports USB KVM switch  
Connector type: proprietary DB-15 KVM connector  
Cascades level: 8 levels, up to 128 servers  
Resolution: 1,600 x 1,200  
Support hot-pluggable cable and built-in KVM switch buttons  
Multi-platform: Mix PCs, SUNs, PCs, IBMs, HPs, Compaq & DELL  
Support: Windows Vista/ 2003/ XP/ 2000, Linux, Netware, Unix

### KVM Management:

Multilingual OSD: English, France, German, Spanish, Italian, Russian, Simplified Chinese, Japanese  
Hotkey combination: Scroll-lock, Cap-lock, Num-lock, Alt, Ctrl & Win  
Security: Password enable & disable  
up to 8 users profile for port access  
PC Selection: Front button, OSD menu & hotkey

### KVM switch Connector:

16 x D-Sub 15 pin (female) for VGA/ Keyboard/ mouse (Combo Interface, USB or PS/2)  
1 x D-sub 15 pin for cascades port

### Cable:

16 x 6' 4-in-1 KVM cable for VGA/ Keyboard/ mouse  
Optional for 10' or 15'  
KVM side: 1 x D-sub 15 pin proprietary KVM connector  
Server side: 1 x D-sub 15 pin VGA

### Drawer Design:

High load-rating slide rail with angle bracket  
extension up to 32" depth  
Optional Extension bracket to 36" depth

**ACNODES**

14628 Central Blvd, Chino,  
CA 91710  
tel: 909.597.7588, fax: 909.597.1939

© Copyright 2011 Acnodes, Inc.  
All rights reserved. Product description and product specifications  
are subject to change without notice. For latest product information,  
please visit Acnodes' web site at [www.acnodes.com](http://www.acnodes.com).

**Power Supply:**

Auto-sensing 100 to 240 VAC, 50/60Hz  
Max. 48Watt, Standby 5W

**Color:**

Black

**Environmental:**

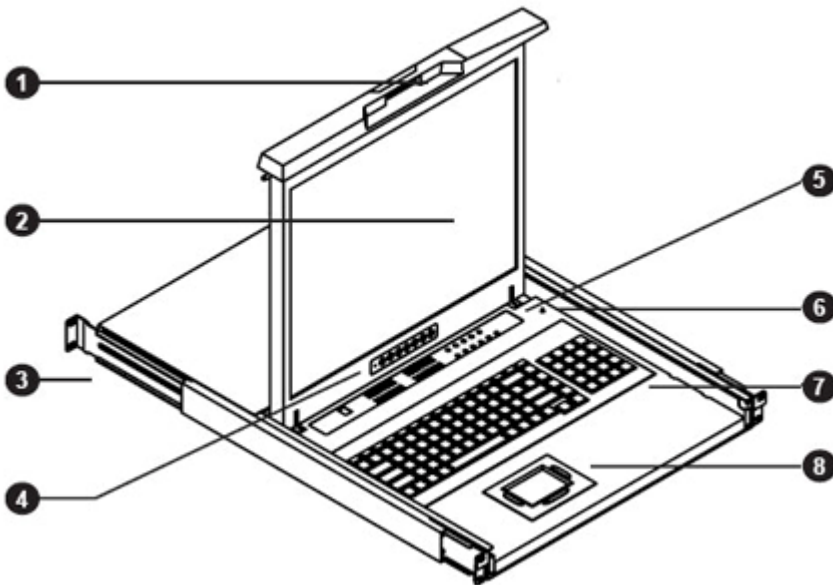
Operate 0°~ 50°C  
Storage -5°~ 60°C  
Humidity: 5% ~ 90%, non-condensing  
Shock 10G acceleration (11ms duration)  
Vibration 5~500Hz 1G RMS random vibration

**Safety:**

CE/FCC

**Gross Weight/Dimension:**

33lbs/ 17.4"(W) x 25.6"(D) x 1.73"(H)

**» Diagram**

1. Carry handle to release the 2-pt lock
2. LCD interchangeable module kit
3. "One Man" installation Slides
4. LCD membrane

5. Membrane switch (KVM option)
6. Micro switch for screen auto power off
7. Keyboard interchangeable module kit
8. Mouse interchangeable module kit

**» Ordering Guide****KDS 61716:**

1U 17" 1280 x 1024 LCD monitor keyboard drawer, 16 ports USB KVM switch, black colour

**ACNODES**

14628 Central Blvd, Chino,  
CA 91710  
tel: 909.597.7588, fax: 909.597.1939

© Copyright 2011 Acnodes, Inc.  
All rights reserved. Product description and product specifications  
are subject to change without notice. For latest product information,  
please visit Acnodes' web site at [www.acnodes.com](http://www.acnodes.com).