

Quick Installation Guide

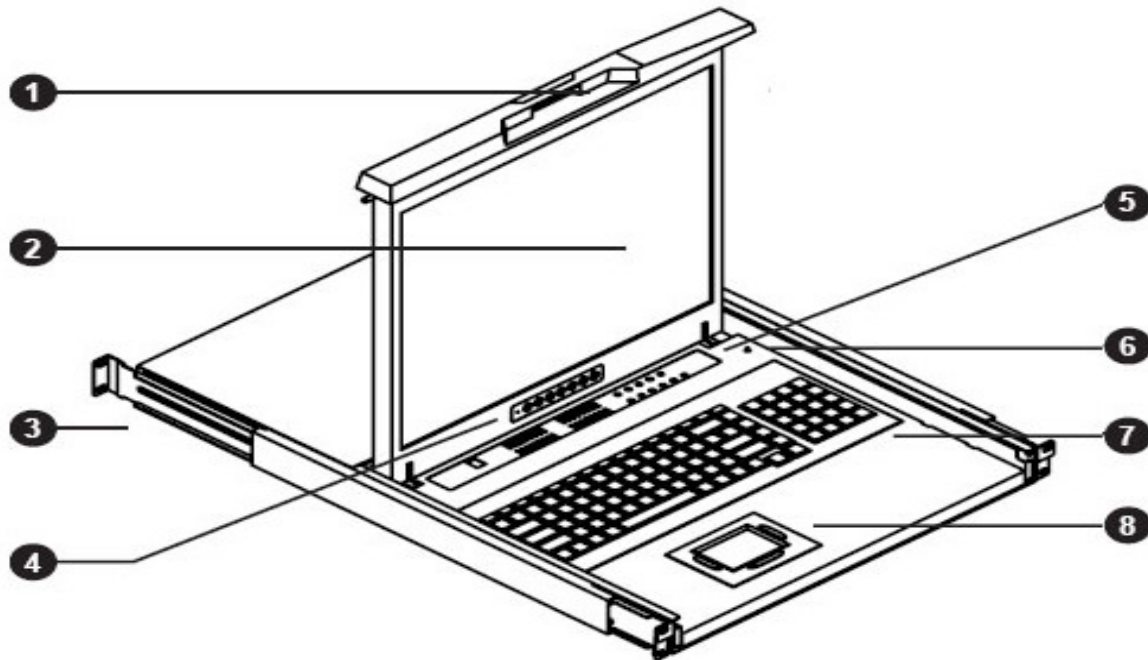
KDS 6170 / KDS 6190

1U rack mount monitor keyboard drawer

<http://www.acnodes.com>, KDS6170 / KDS6190 1U rack LCD console

Copyright 2010 Acnodes Corporation. All rights reserved.

Structure Diagram

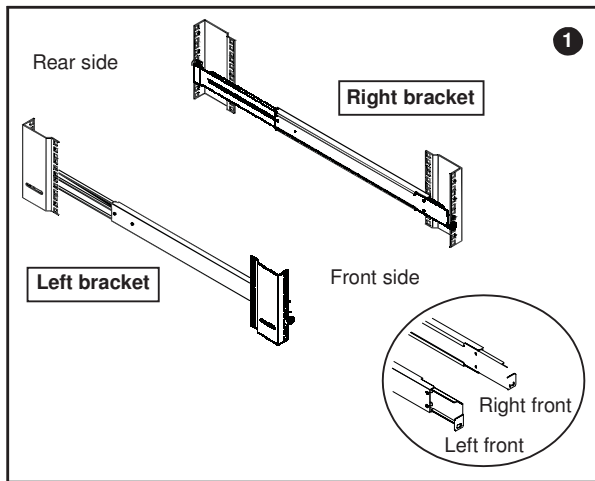


1. Front panel handle with 2-position lock
2. LCD monitor
3. "One Man" installation rack mount slides bracket
4. OSD membrane switch
5. Membrane switch (KVM option)
6. Micro switch for screen auto power off
7. Keyboard with sun function key interchangeable module kit
8. 3-buttons touch pad module kit

<http://www.acnodes.com>, KDS6170 / KDS6190 1U rack LCD console

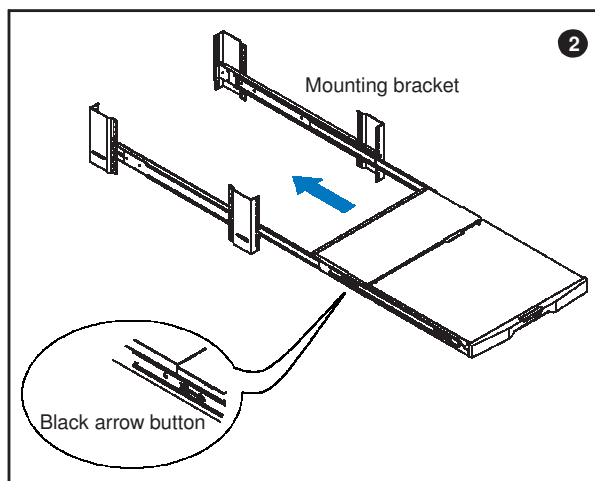
Copyright 2010 Acnodes Corporation. All rights reserved.

How to Install "One Man" Installation Slides Install into rack



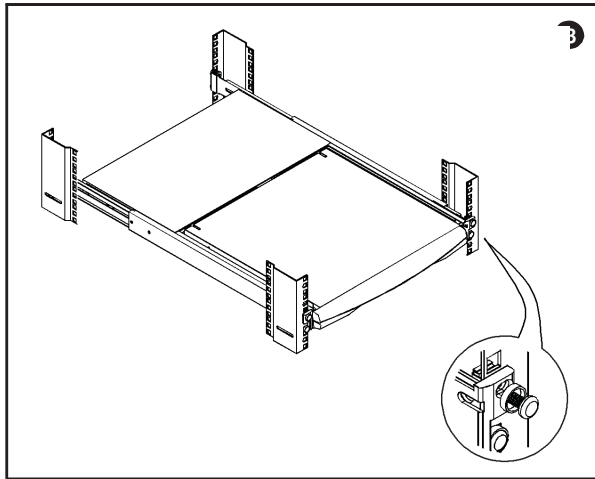
- Attach the left and right mounting bracket to rack 19" mounting rails.
- Adjust the rear mounting bracket to fit your rack.
- M6 screw and cup washer x 6 piece included.

⚠ Caution : Leaving the screws slightly loose, until you complete the installation in step 4

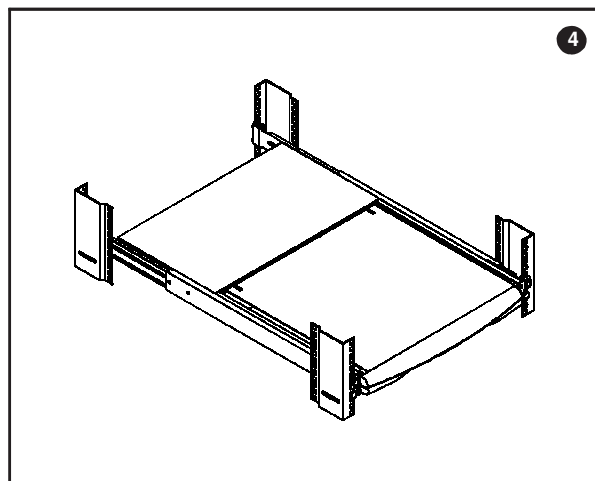


- Pick up the LCD keyboard drawer.
- Insert the LCD keyboard drawer into the mounting bracket.
- Pull and hold the left & right black arrow buttons on the rails.
- Return the LCD keyboard drawer to park position.

How to Install "One Man" Installation Slides



- Attach front left and right mounting ears of the LCD keyboard drawer to vertical mounting rails.
- M6 screw and cup washer x 2 pcs included.



Complete the installation

- Tighten all 8 piece of M6 screw to complete the installation.

How to Use the Slides

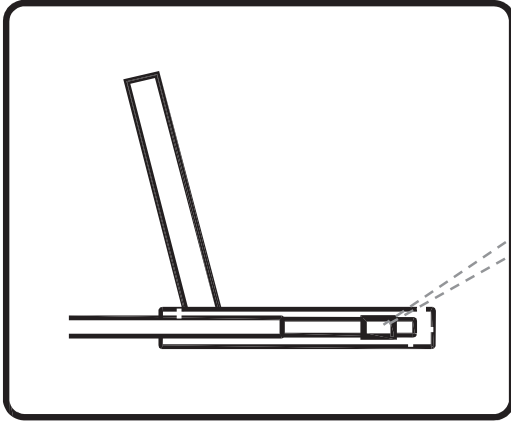
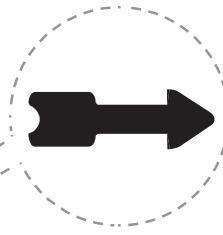


Figure 1.



- A black arrow release button is located on the outside of each slide. (shown in **Figure 1**).

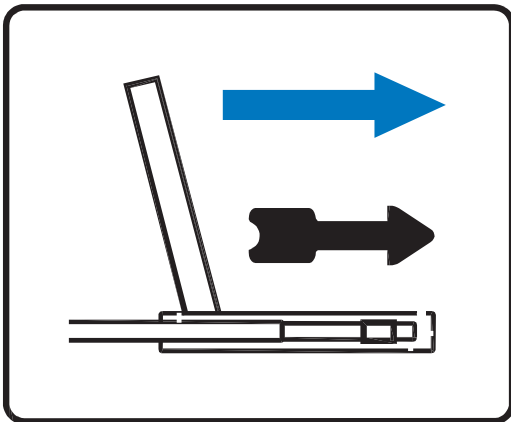
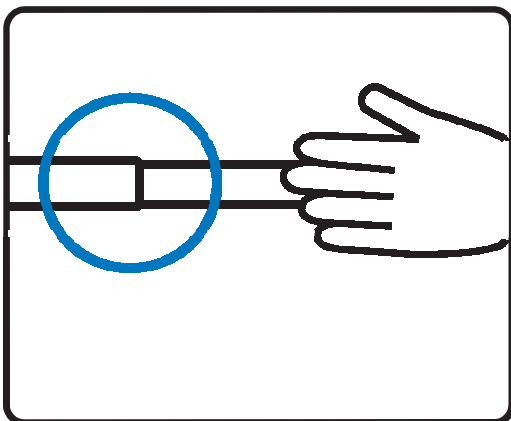



Figure 2.

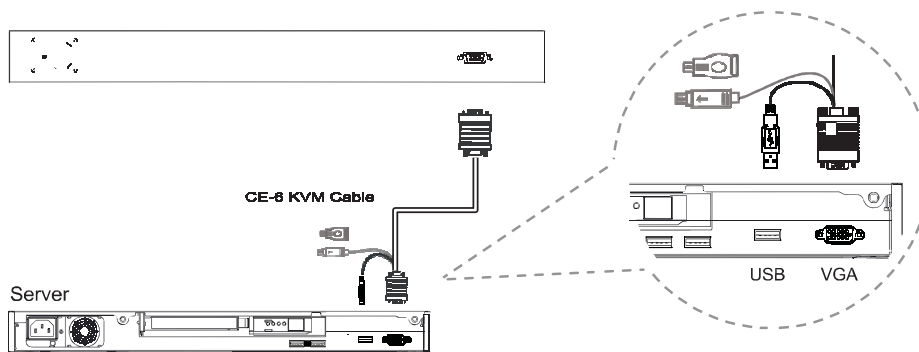
- Pull and hold the black arrow button on either side of the LCD keyboard drawer to unlock. (shown in **Figure 2**).



- Push the LCD keyboard drawer into the rack. (shown in left **Figure**).

 **Caution** : Keep your fingers away from the slide stop

Connect to server via USB interface



Connect to server via PS/2 interface

