



KDI 81716
1U Monitor Keyboard

Installation Guide

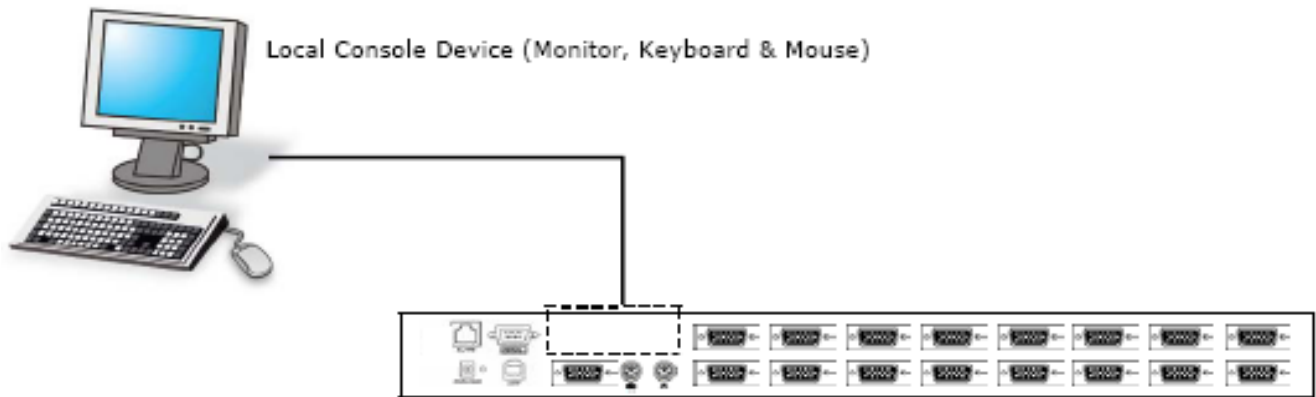
KDI 81716, 1U 17" monitor keyboard drawer

KDI 81716

1U Monitor Keyboard



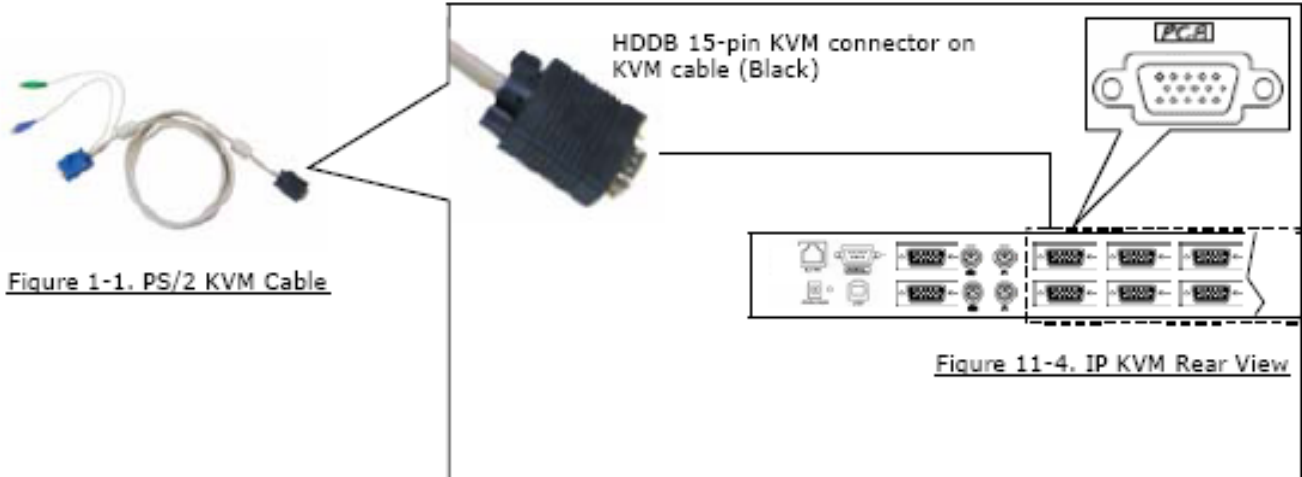
1. Connect the included power adapter to IP KVM and switch on. A beep sounds and “BANK No.” LED indicated the current bank status.



2. Connect the Local Console of KVM to input device and Display Unit.

KDI 81716

1U Monitor Keyboard



3. Connect the IP KVM to your servers up to 16 servers (for KDI 8178 only, serves up to 8 ports).