



KD 6176

1U Rackmount Console Server
(for KVM switch or server)

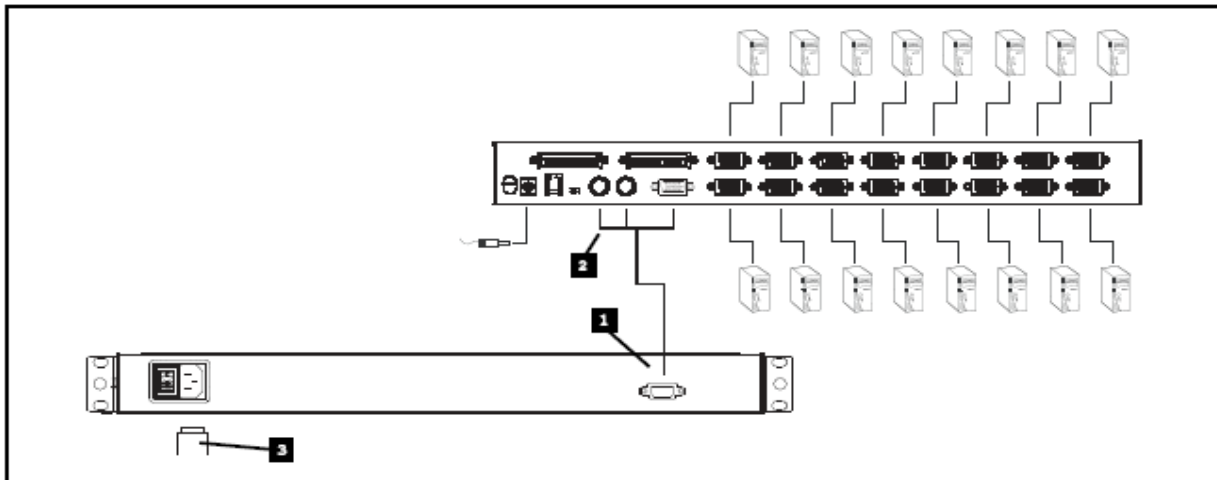
Installation Guide

KD 6176: 1U Rackmount Console Server
(for KVM switch or server)

KD 6176

1U Rackmount Console Server
(for KVM switch or server)

Installation



Refer to the example installation diagram below as you perform the following steps:

1. Plug the cable kit (provided with this unit) into the port on KD6176
2. Plug the keyboard, monitor, and mouse connectors on the other end of the cable kit into their respective ports on the server or KVM.
3. Plug the power cord into KD 6176's power socket and into an AC power source.
4. Power up your KVM installation.
5. Turn on the power to KD 6176.

Note: The example diagram shows KD 6176 connecting to a KD 6176 KVM switch. If you are connecting to a different model, the console port connectors may be in a different location.

KD 6176

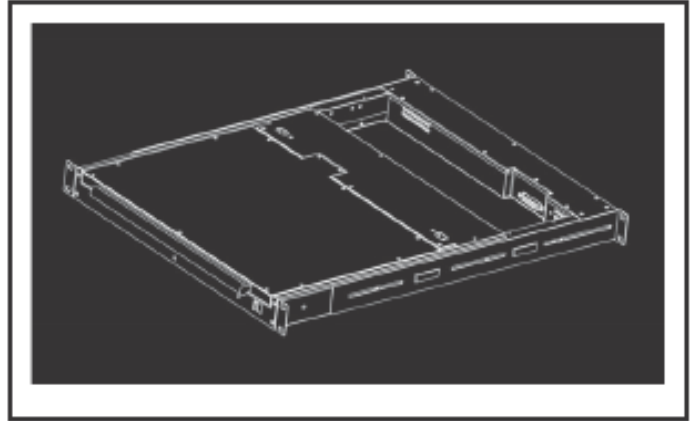
1U Rackmount Console Server
(for KVM switch or server)

Rackmounting

KD 6176 can be mounted in a 1U system rack. For convenience and flexibility, a rackmounting kit, that allows several mounting options is provided with your KD 6176 package. The various options are explained in the sections that follow.

Standard Rack Mounting

The standard rack mounting brackets that come attached to KD 6176 allow the unit to be installed in standard 1U racks. If the unit can fit into your rack "as is," simply slide it into the rack and screw it securely in place.



Optional Rack Mounting

If there is not enough clearance for the unit to slide into the rack when the rear flanges face outward, the problem can be resolved with the following procedure:

1. Unscrew the rear mounting brackets from the chassis.
2. Turn the brackets so that the flanges face inward; then screw them back into the chassis.

Note: Be sure to leave a 12mm gap between the flange and the rear of the chassis in order to have enough room to screw the tab to the flange.

3. Slide the unit into the rack.
4. Screw the metal tabs to the rear flanges.
5. Secure the unit to the rack with the front flanges and rear tabs.

KD 6176 can also be mounted in a 2-post rack installation using the optional 2-Post Rack mount Kit KD 6176. The mounting hardware allows for the consoles to be opened with the drawer in any position. Heavy-duty 14-gauge steel provides stability and prevents console frame from twisting.

